

April 16, 2010

Re: Testing of the Polylok 1.0 - inch Slab Bolster Cover - Part No. 3063-S1

To Whom It may Concern:

This report documents the results of the testing, on the 20 Polylok 1.0 inch COVER # 3063-S1 Slab Bolsters, that was performed on February 24, 2010. The testing was conducted at Polymold, Inc. in Wallingford, CT and was witnessed and verified by Stonel Associates, Inc. These parts were injection molded from recycled Polycarbonate resin. This tinted polycarbonate regrind was supplied to Polymold as a recycled product by Debco Plastics Group.

The testing was performed using a 6-ton Bench Press manufactured by Central Hydraulics. It contained a 4-ton hydraulic pump with a large accurate pressure gauge. (Please refer to the photos.)

At room temperature, 70 degrees F, all twenty Covers measured 1.00 in height at no load and .96- inches in height when subjected to a 330- pound pressure. This .04- inch deflection represents a 4% reduction in height.

At a temperature of 150 degrees F, all twenty Covers measured 1.00 inches in height at no load and .96- inches in height when subjected to a 330-pound pressure. This .04-inch deflection represents a 4% reduction in height.

At a temperature of 20 degrees F, all twenty Covers measured 1.00 inches in height at no load and .97-inches in height when subjected to a 330-pound pressure. This .03-inch deflection represents a 3% reduction in height.

Twenty Covers were individually accurately weighed and then immersed in 76 degrees F water for a 60-hour period and then accurately weighed again. There was no measurable change of weight in any of the parts.

Polylok had a water absorption test performed on the tinted polycarbonate reprocessed resin in accordance with the ASTM Standard D570-98 (2005). A batch of the tinted reprocessed polycarbonate resin, from Debco Plastics Group, was shipped to STR "Specialized Technology Resources, Inc." STR is an International Accredited Testing Laboratory that is located in Enfield, CT. They injection molded, from the supplied resin, disks that were four inches in diameter, and from them they machined three 2 inch by 2 inch test specimen samples.

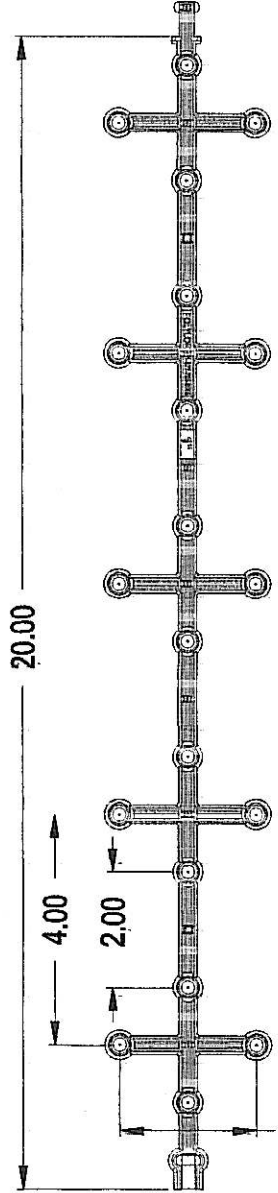
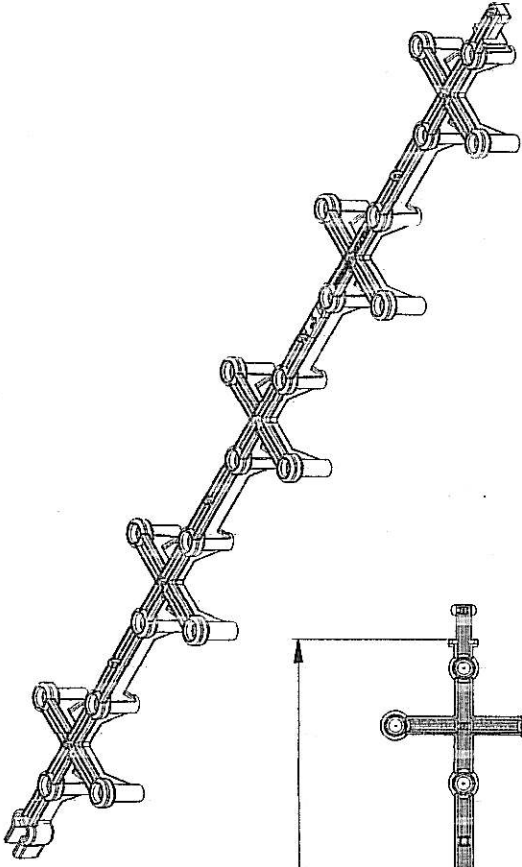
Please refer to their Test Report and note that the average water absorption percentage from the three tested samples was only 0.157%.

Sincerely,

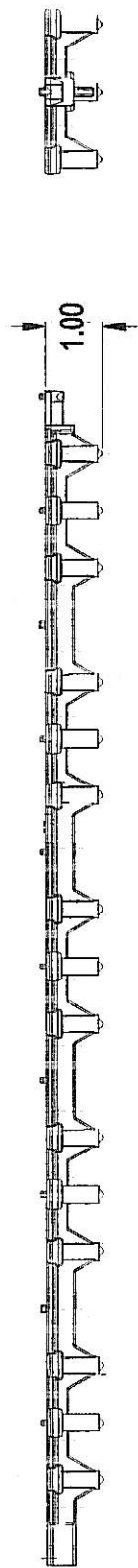
George E. Nelson

George E. Nelson
President

Signed before me this 16th day of April
2010. *Erin E. Couture*
Erin E. Couture, Notary
my commission Expires: 02/28/11



2.37



POLYLOK 1" COVER 20" STACKING SLAB BOLSTER
PART NO. 3063-S1
MATERIAL - POLYCARBONATE
COLOR - GREY

April 16, 2010

Re: Testing of the Polylok 1.5- inch Slab Bolster Cover- Part No. 3063-S15

To Whom It may Concern:

This report documents the results of the testing on the 20 Polylok 1.5 inch Cover # 3063-S15 Slab Bolsters that was performed on February 24, 2010. The testing was conducted at Polymold, Inc. in Wallingford, CT and was witnessed and verified by Stonel Associates, Inc. These parts were injection molded from recycled Polycarbonate resin. This tinted polycarbonate regrind was supplied to Polymold as a recycled product by Debco Plastics Group.

The testing was performed using a 6-ton Bench Press manufactured by Central Hydraulics. It contained a 4-ton hydraulic pump with a large accurate pressure gauge. (Please refer to the photos.)

At room temperature, 70 degrees F, all twenty Covers measured 1.50 in height at no load and 1.47- inches in height when subjected to a 330- pound pressure. This .03- inch deflection represents a 2% reduction in height.

At a temperature of 150 degrees F, all twenty Covers measured 1.50 inches in height at no load and 1.44- inches in height when subjected to a 330-pound pressure. This .06-inch deflection represents a 4% reduction in height.

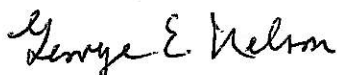
At a temperature of 20 degrees F, all twenty Covers measured 1.50 inches in height at no load and 1.47- inches in height when subjected to a 330-pound pressure. This .03-inch deflection represents a 2% reduction in height.

Twenty Covers were individually accurately weighed and then immersed in 76 degrees F water for a 60-hour period and then accurately weighed again. There was no measurable change of weight in any of the parts.

Polylok had a water absorption test performed on the tinted polycarbonate reprocessing resin in accordance with the ASTM Standard D570-98 (2005). A batch of the tinted reprocessing polycarbonate resin, from Debco Plastics Group, was shipped to STR "Specialized Technology Resources, Inc." STR is an International Accredited Testing Laboratory that is located in Enfield, CT. They injection molded, from the supplied resin, disks that were four inches in diameter, and from them they machined three 2 inch by 2 inch test specimen samples.

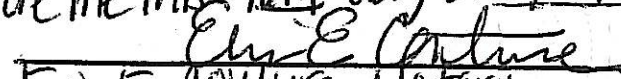
Please refer to their Test Report and note that the average water absorption percentage from the three tested samples was only 0.157%.

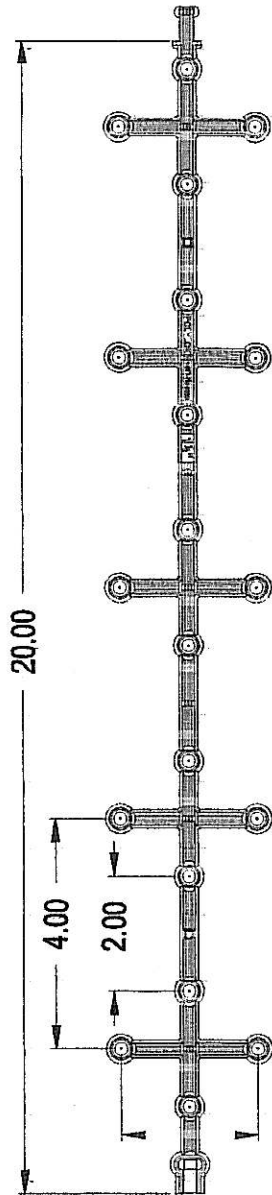
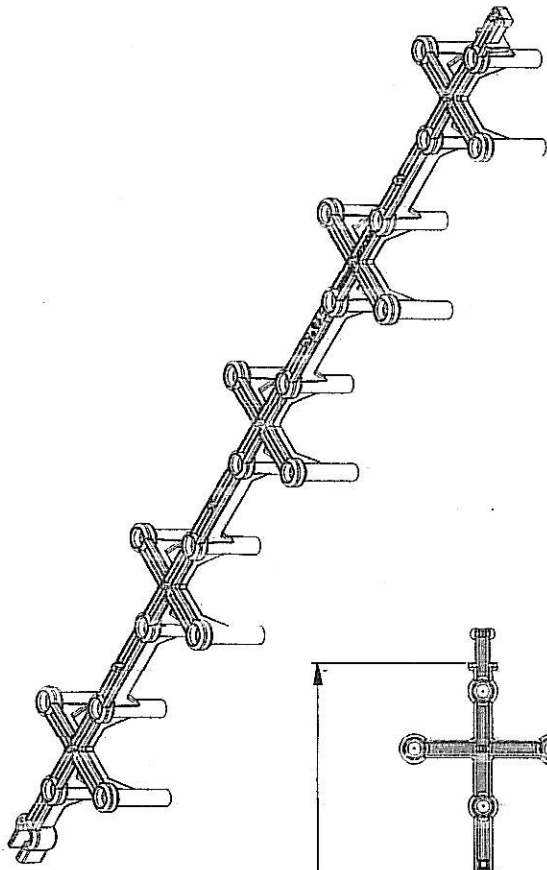
Sincerely,



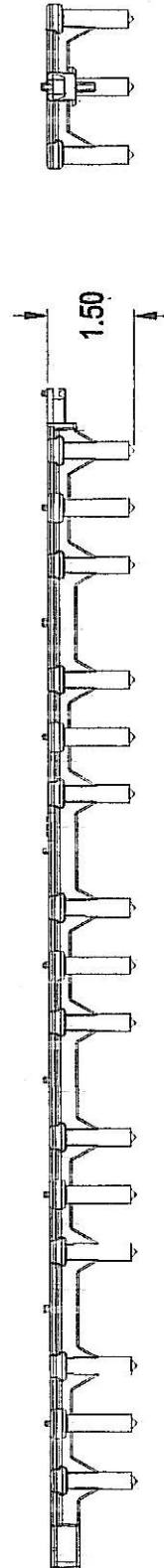
George E. Nelson
President

Signed before me this 16th day of April, 2010.


Erin E. Couture; Notary
My Commission Expires: 02/28/11



2.37



POLYLOK 1.5" COVER 20" STACKING SLAB BOLSTER
PART NO. 3063-S15
MATERIAL - POLYCARBONATE
COLOR - GREY

April 16, 2010

Re: Testing of the Polylok 2.0- inch Slab Bolster Cover- Part No. 3063-S2

To Whom It may Concern:

This report documents the results of the testing on the 20 Polylok 2.0 inch Covers # 3063-S2 Slab Bolsters that was performed on February 24, 2010. The testing was conducted at Polymold, Inc. in Wallingford, CT and was witnessed and verified by Stonel Associates, Inc. These parts were injection molded from recycled Polycarbonate resin. This tinted polycarbonate regrind was supplied to Polymold as a recycled product by Debco Plastics Group.

The testing was performed using a 6-ton Bench Press manufactured by Central Hydraulics. It contained a 4-ton hydraulic pump with a large accurate pressure gauge. (Please refer to the photos.)

At room temperature, 70 degrees F, all twenty Covers measured 2.00 in height at no load and 1.97- inches in height when subjected to a 330- pound pressure. This .03- inch deflection represents a 1.5% reduction in height.

At a temperature of 150 degrees F, all twenty Covers measured 2.00 inches in height at no load and 1.94- inches in height when subjected to a 330-pound pressure. This .06-inch deflection represents a 3% reduction in height.

At a temperature of 20 degrees F, all twenty Covers measured 2.00 inches in height at no load and 1.97- inches in height when subjected to a 330-pound pressure. This .03-inch deflection represents a 1.5% reduction in height.

Twenty Covers were individually accurately weighed and then immersed in 76 degrees F water for a 60-hour period and then accurately weighed again. There was no measurable change of weight in any of the parts.

Polylok had a water absorption test performed on the tinted polycarbonate reprocessed resin in accordance with the ASTM Standard D570-98 (2005). A batch of the tinted reprocessed polycarbonate resin, from Debco Plastics Group, was shipped to STR "Specialized Technology Resources, Inc." STR is an International Accredited Testing Laboratory that is located in Enfield, CT. They injection molded, from the supplied resin, disks that were four inches in diameter, and from them they machined three 2 inch by 2 inch test specimen samples.

Please refer to their Test Report and note that the average water absorption percentage from the three tested samples was only 0.157%.

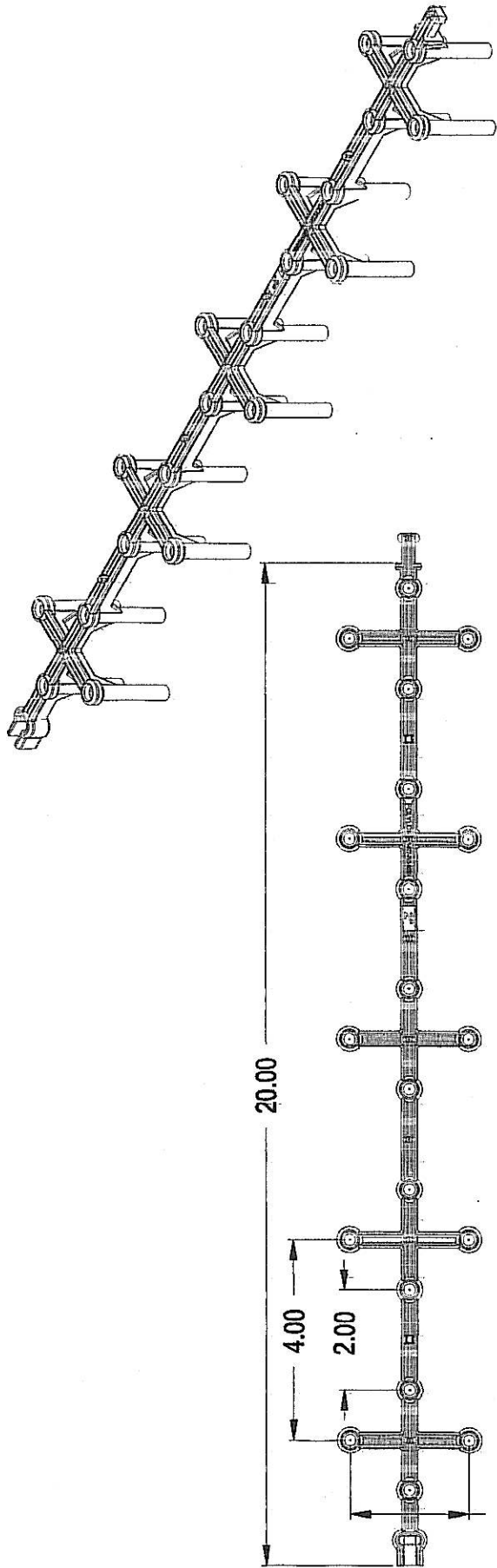
Sincerely,

George E. Nelson

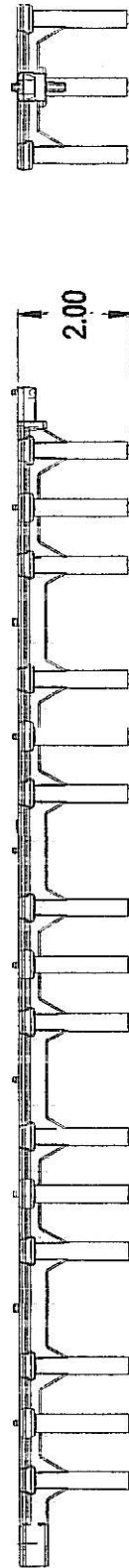
George E. Nelson
President

*Signed before me this 16th day of
April, 2010.*

Erin E. Coulter
Erin E. Coulter, Notary
My Commission Expires: 02/28/11



2.37



POLYLOK 2" COVER 20" STACKING SLAB BOLSTER

PART NO. 3063-S2

MATERIAL - POLYCARBONATE

COLOR - GREY

March 7, 2010

Re: Testing of the Polylok 2.5-inch Slab Bolster Cover- Part No. 3063-S25

To Whom It may Concern:

This report documents the result of the testing on the Polylok 2.5 inch Covers # 3063-S25 Slab Bolsters that was performed on June 21, 2007. The testing was conducted at Polymold, Inc. in Wallingford, CT and was witnessed and verified by Stonel Associates, Inc. These parts were injection molded from recycled Polycarbonate resin. This tinted polycarbonate regrind was supplied to Polymold as a recycled product by Debco Plastics Group.

The testing was performed using a 6-ton Bench Press manufactured by Central Hydraulics. It contained a 4-ton hydraulic pump with a large accurate pressure gauge. (Please refer to the photos.)

At room temperature, 72 degrees F, all twenty Covers measured 2.50- inches in height at no load and 2.47- inches in height when subjected to a 300- pound pressure. This .03- inch deflection represents a 1.2% reduction in height.

At a temperature of 150 degrees F, all twenty Covers measured 2.50- inches in height at no load and 2.42- inches in height when subjected to a 300-pound pressure. This .08-inch deflection represents a 3.2% reduction in height.

At a temperature of 20 degrees F, all twenty Covers measured 2.50- inches in height at no load and 2.47- inches in height when subjected to a 300-pound pressure. This .03-inch deflection represents a 1.2% reduction in height.

Twenty 2.5- inch Covers were individually accurately weighed and then immersed in 76 degrees F water for a 60-hour period and then accurately weighed again. There was no measurable change of weight in any of the parts.

Polylok had a water absorption test performed on the tinted polycarbonate reprocessed resin in accordance with the ASTM Standard D570-98 (2005). A batch of the tinted reprocessed polycarbonate resin, from Debco Plastics Group, was shipped to STR "Specialized Technology Resources, Inc." STR is an Internationally Accredited Testing Laboratory that is located in Enfield, CT. They injection molded, from the supplied resin, disks that were four inches in diameter, and from them they machined three 2 inch by 2 inch test specimen samples.

Please refer to their Test Report and note that the average water absorption percentage from the three tested samples was 0.157%

Sincerely,

George E. Nelson

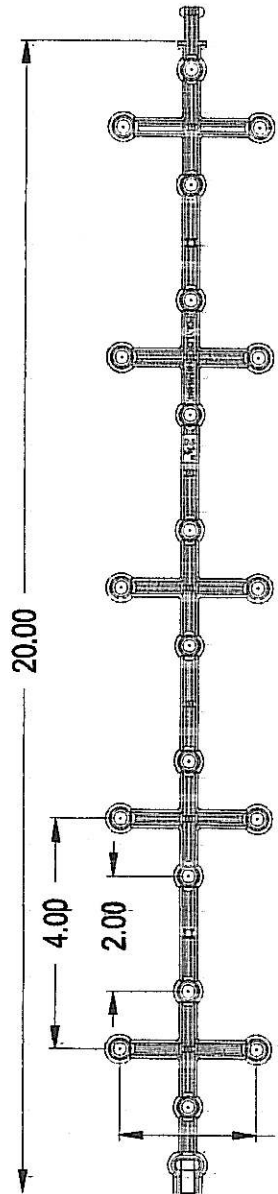
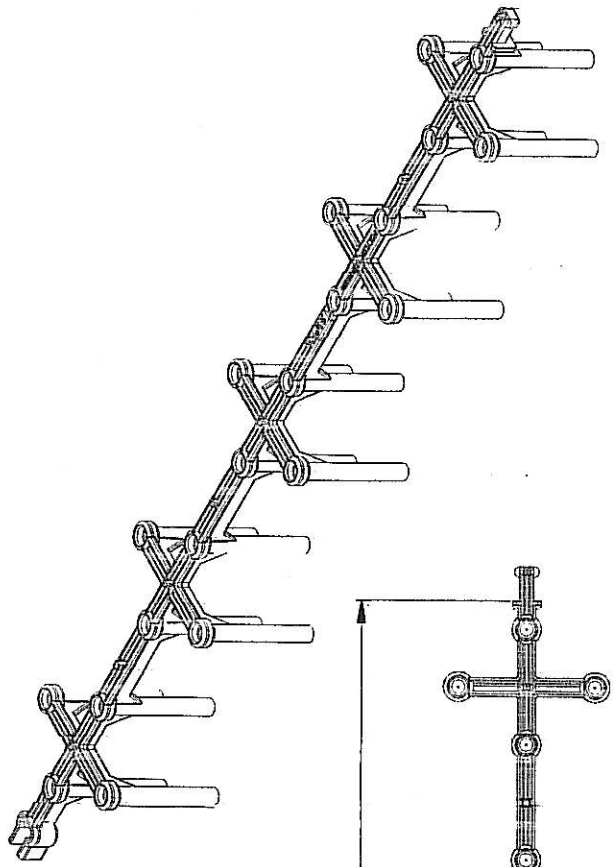
George E. Nelson
President

*Signed before me this 7th day of
March, 2010.*

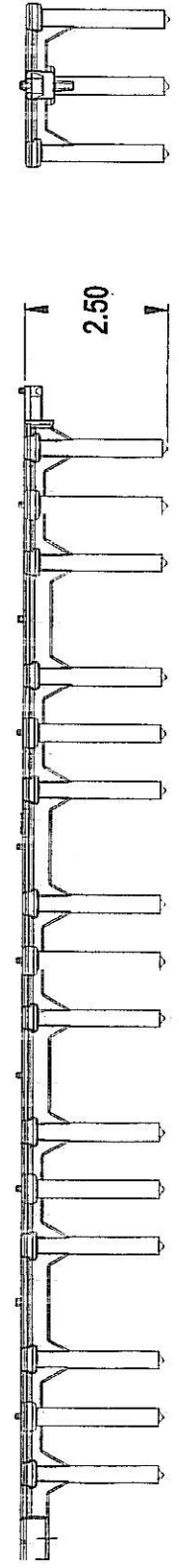
Erin E. Couture

Notary: Erin E. Couture

My Commission Expires: 02/29/11



2.37



POLYLOK 2.5" COVER 20" STACKING SLAB BOLSTER
PART NO. 3063-S25
MATERIAL - POLYCARBONATE
COLOR - GREY

April 16, 2010

Re: Testing of the Polylok 3.0- inch Slab Bolster Cover- Part No. 3063-L3

To Whom It may Concern:

This report documents the results of the testing on the 20 Polylok 3.0 inch Covers # 3063-L3 Slab Bolsters that was performed on February 24, 2010. The testing was conducted at Polymold, Inc. in Wallingford, CT and was witnessed and verified by Stonel Associates, Inc. These parts were injection molded from recycled Polycarbonate resin. This tinted polycarbonate regrind was supplied to Polymold as a recycled product by Debco Plastics Group.

The testing was performed using a 6-ton Bench Press manufactured by Central Hydraulics. It contained a 4-ton hydraulic pump with a large accurate pressure gauge. (Please refer to the photos.)

At room temperature, 70 degrees F, all twenty Covers measured 2.94 inches in height at no load and 2.87- inches in height when subjected to a 330- pound pressure. This .07- inch deflection represents a 2.4% reduction in height.

At a temperature of 150 degrees F, all twenty Covers measured 2.94 inches in height at no load and 2.84- inches in height when subjected to a 330-pound pressure. This 0.010-inch deflection represents a .34% reduction in height.

At a temperature of 20 degrees F, all twenty Covers measured 2.94 inches in height at no load and 2.91-inches in height when subjected to a 330-pound pressure. This .03-inch deflection represents a 1% reduction in height.

Twenty 3.0 inch Covers were individually accurately weighed and then immersed in 76 degrees F water for a 60-hour period and then accurately weighed again. There was no measurable change of weight in any of the parts.

Polylok had a water absorption test performed on the tinted polycarbonate reprocessed resin in accordance with the ASTM Standard D570-98 (2005). A batch of the tinted reprocessed polycarbonate resin, from Debco Plastics Group, was shipped STR "Specialized Technology Resources, Inc." STR is an Internationally Accredited Testing Laboratory that is located in Enfield, CT. They injection molded, from the supplied resin, disks that were four inches in diameter, and from them they machined three 2 inch by 2 inch test specimen samples.

Please refer to their Test Report and note that the average water absorption percentage from the three tested samples was 0.157%.

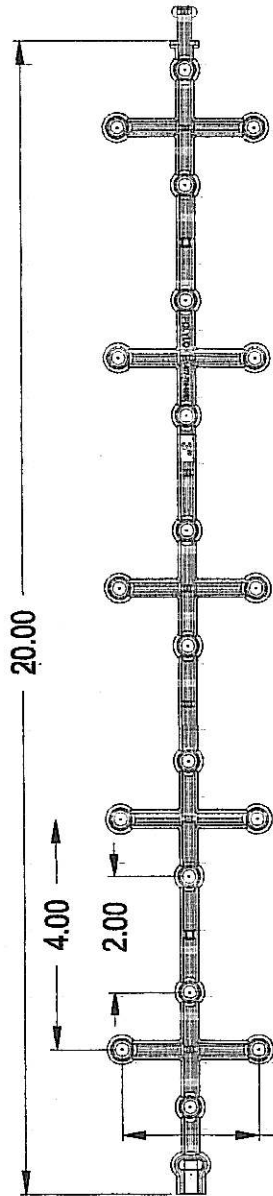
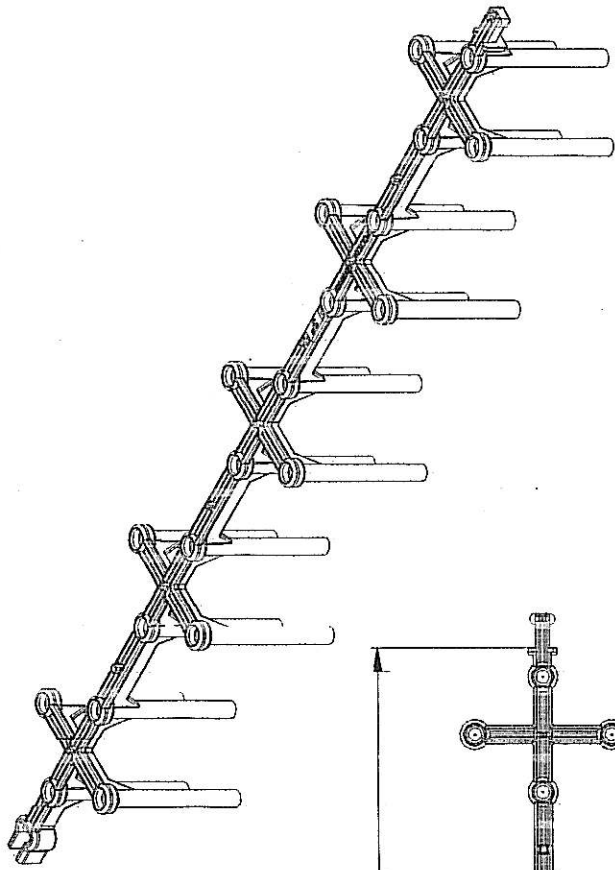
Sincerely,

George E. Nelson

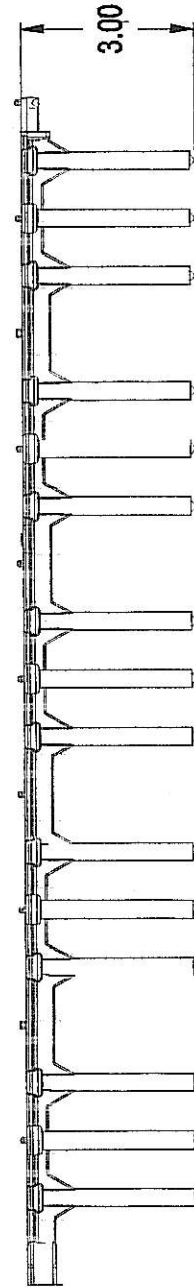
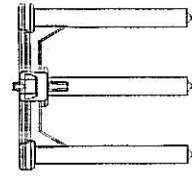
George E. Nelson
President

*Signed before me this 16th day of
April 2010.*

Erin E. Couture
Erin E. Couture, Notary
My Commission Expires: 02/28/11



2.37



POLYLOK 3" COVER 20" STACKING SLAB BOLSTER
PART NO. 3063-S3
MATERIAL - POLYCARBONATE
COLOR - GREY